

Telescopic linear slides

with partial extension

SPECIFICATION

Rail / Runner

Heat treatable steel

- zinc plated, blue passivated
- Raceways hardened

Balls

Anti-friction bearing steel, hardened

Ball cage

Steel, zinc plated

INFORMATION

Telescopic linear slides GN 2404 are used, for example, for storage drawers and sliding doors, or in jigmaking for a sliding motion in a linear direction.

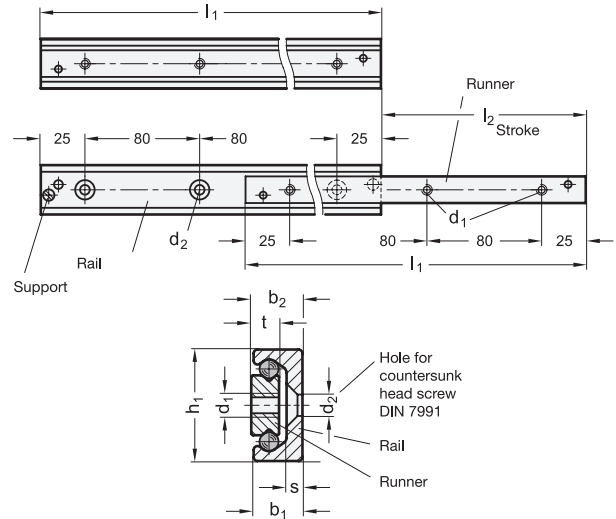
If the support screw is removed on both sides, the sliding distance extends the length of the rail plus an additional distance of slightly more than half the length of the rail.

External elements should limit the maximum sliding distance; the supports of the rail have been designed to guard against the inadvertent extraction of the runner from the rail.

- Load rating and information to linear guide rail systems (see page 649)

ON REQUEST

- other lengths (based on the standard lengths grid dimension of 80 mm)
- Special lengths (bore, start and end distances)



GN 2404

| Description | h1 | l1 - l2 | b1 | b2 | d1 | d2 | s | t | ⚖️ |
|----------------|----|-----------|------|------|-----|-----|-----|------|------|
| GN 2404-28-130 | 28 | 130 - 74 | 12.3 | 12.9 | M 5 | 5.5 | 4 | 7 | 290 |
| GN 2404-28-210 | 28 | 210 - 116 | 12.3 | 12.9 | M 5 | 5.5 | 4 | 7 | 460 |
| GN 2404-28-290 | 28 | 290 - 148 | 12.3 | 12.9 | M 5 | 5.5 | 4 | 7 | 640 |
| GN 2404-28-370 | 28 | 370 - 190 | 12.3 | 12.9 | M 5 | 5.5 | 4 | 7 | 810 |
| GN 2404-28-450 | 28 | 450 - 232 | 12.3 | 12.9 | M 5 | 5.5 | 4 | 7 | 990 |
| GN 2404-28-530 | 28 | 530 - 274 | 12.3 | 12.9 | M 5 | 5.5 | 4 | 7 | 1170 |
| GN 2404-35-290 | 35 | 290 - 159 | 16.5 | 17 | M 6 | 6.5 | 3.5 | 10 | 900 |
| GN 2404-35-370 | 35 | 370 - 203 | 16.5 | 17 | M 6 | 6.5 | 3.5 | 10 | 1110 |
| GN 2404-35-450 | 35 | 450 - 247 | 16.5 | 17 | M 6 | 6.5 | 3.5 | 10 | 1350 |
| GN 2404-35-530 | 35 | 530 - 279 | 16.5 | 17 | M 6 | 6.5 | 3.5 | 10 | 1590 |
| GN 2404-35-610 | 35 | 610 - 323 | 16.5 | 17 | M 6 | 6.5 | 3.5 | 10 | 1830 |
| GN 2404-35-690 | 35 | 690 - 367 | 16.5 | 17 | M 6 | 6.5 | 3.5 | 10 | 2070 |
| GN 2404-43-370 | 43 | 370 - 208 | 21 | 22 | M 8 | 8.5 | 4.5 | 13.5 | 1920 |
| GN 2404-43-450 | 43 | 450 - 243 | 21 | 22 | M 8 | 8.5 | 4.5 | 13.5 | 2340 |
| GN 2404-43-530 | 43 | 530 - 278 | 21 | 22 | M 8 | 8.5 | 4.5 | 13.5 | 2760 |
| GN 2404-43-610 | 43 | 610 - 313 | 21 | 22 | M 8 | 8.5 | 4.5 | 13.5 | 3170 |
| GN 2404-43-690 | 43 | 690 - 363 | 21 | 22 | M 8 | 8.5 | 4.5 | 13.5 | 3590 |
| GN 2404-43-770 | 43 | 770 - 398 | 21 | 22 | M 8 | 8.5 | 4.5 | 13.5 | 3730 |

